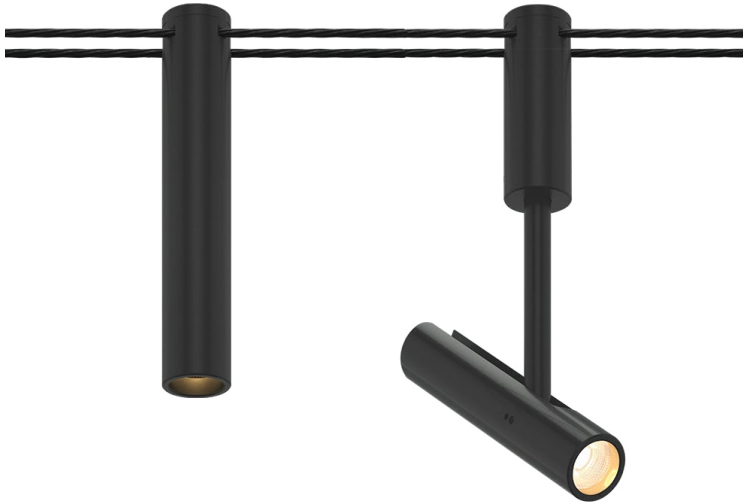


SKYLINE

Outdoor / Indoor Catenary Fixture IP67
Standard White Down & Spot



Down

Spot



FEATURES

- SKYLINE is a lightweight, highly versatile, and exceptionally elegant catenary system for indoor and outdoor applications. Up to 780 lumens from a 1" aperture cylinder. SKYLINE enables safe, reliable, clutter-free catenary on strong woven Kevlar, self-healing cable with marine grade, hard anodized aluminum fixture housings. Applications are endless, from outdoor gathering spaces to indoor accent lighting for retail and hospitality.

HOUSING

- Hard anodized, marine grade aluminum in matte black.
- Polycarbonate protective IK10 rated.
- Ambient operating temperatures Min. -40°F / Max 131°F.
- IP 67 rated Down or Spot: standard, snoot, wand and prism

MOUNTING

- Twin cable powered suspended catenary system

ELECTRICAL/CONTROLS

- 0-10V and DALI dimmable, see remote drivers for details.
- 24VDC input

LISTING

- ETLus listed to UL2108 (suitable for dry, damp and wet locations)
- cETL listed to CSA C22.2 #250.0
- Accessories are not approved for International Dark-Sky Association certification.
- 3000k or warmer must be selected for International Dark-Sky Association approval.

LED INFO

- 90 CRI: SDCM = 3-step MacAdam Ellipse, Lumen Maintenance: L₇₀ > 100,000 hrs
- 80 CRI: SDCM = 3-step MacAdam Ellipse, Lumen Maintenance: L₇₀ > 100,000 hrs

PROJECT INFORMATION			
JOB NAME		TYPE	
ORDERING CODE			

ORDERING CODE

SERIES	EXT	exterior
TYPE	SKY-D SKY-S	skyline down, cylinder skyline spot, pan and tilt
LED	SW	standard white
DELIVERED LUMENS	10LM	780 lm
CCT	27K 30K 35K 40K	2700K 3000K 3500K 4000K
CRI	80 90	80 CRI 90 CRI (0.85)
LENS OPTION	20D 25D 30D 40D E	20 degrees 25 degrees 30 degrees 40 degrees elliptical beam spread 40°X20°
VOLTAGE	24	24V
FINISH	BK	black
BEZEL COLOR	BK MC GD	black matte chrome gold
ACCESSORIES	See page 3 for details.	

ORDERING CODE

Follow the steps to specify your fixture, example:

EXT - SKY - D - SW - 10LM - 30K - 90 - 20D - 24 - BK - BK

SW (LED)	POWER	
DELIVERED LM	W (80/90 CRI)	LPW
780	10	78

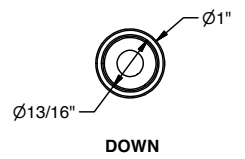
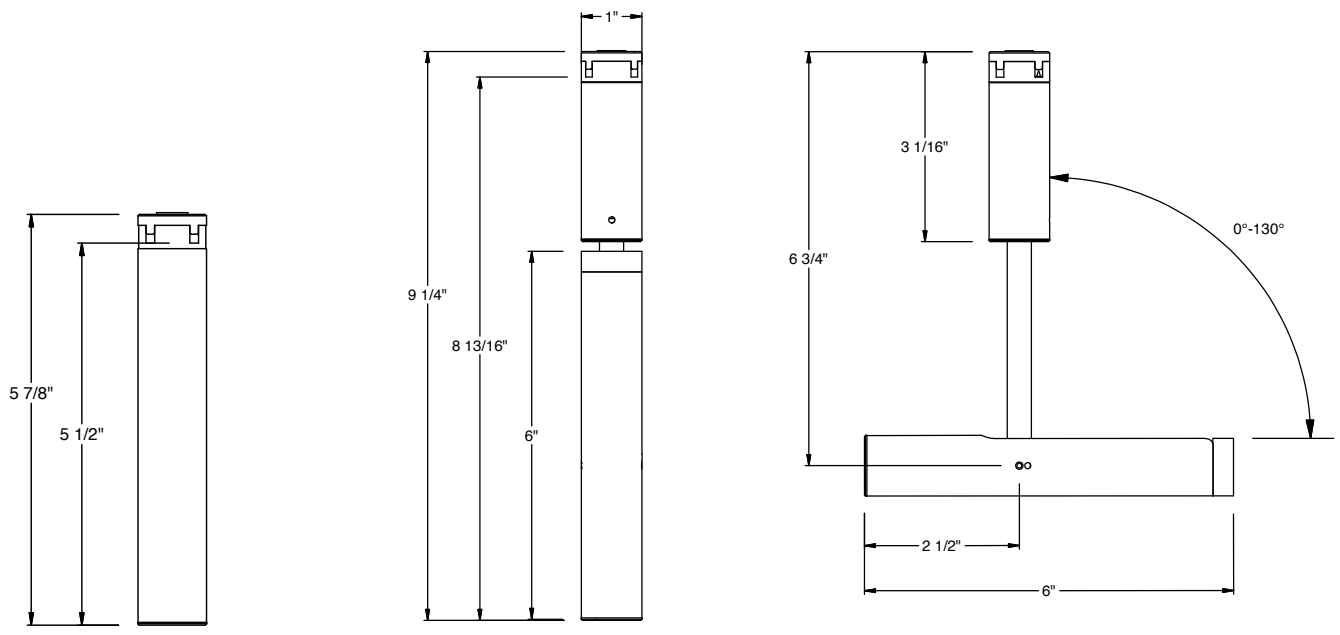
EFFECTIVE PROJECTED AREA RATINGS (EPA)

SKYLINE CONFIGURATION	EPA (FT ²)	WEIGHT - LBS. / OZ.
SKY-D	0.04895	0.242 / 3.87
SKY-S	0.077	0.317 / 5.07
SKT-D - SNOOT	0.0577	0.271 / 4.33
SKT-D - WAND	0.0692	0.320 / 5.12
SKT-D - PRISM	0.0552	0.295 / 4.72
SKT-D - DIAMOND	0.0552	0.295 / 4.72
SKT-D - SHADE	0.1465	0.372 / 5.93
SKT-D - GLOBE OPEN	0.0806	0.302 / 4.83
SKT-D - GLOBE	0.0854	0.308 / 4.93
SKT-D - GLOBE FROSTED	0.0854	0.308 / 4.93
SKT-D - GLOBE CLEAR	0.0933	0.290 / 3.48
SNOOT	0.0088	0.029 / 0.464
WAND	0.0203	0.081 / 1.296
PRISM	0.0062	0.053 / 0.848
DIAMOND	0.0062	0.053 / 0.848
SHADE	0.0975	0.130 / 2.063
GLOBE OPEN	0.0312	0.063 / 1.008
GLOBE	0.0364	0.069 / 1.104
GLOBE DIFFUSED	0.0364	0.069 / 1.104
GLOBE CLEAR	0.0445	0.060 / 0.960
HALF GLOBE	0.0171	0.040 / 0.640

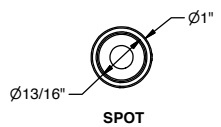
PROJECT INFORMATION

JOB NAME		TYPE	
ORDERING CODE			

PRODUCT DIMENSIONS



DOWN
 EPA - 0.049 sq. ft
 Weight - 0.242 lbs. / 3.87 oz.



SPOT
 EPA - 0.077 sq. ft
 Weight - 0.317 lbs. / 5.07 oz.

PROJECT INFORMATION			
JOB NAME		TYPE	
ORDERING CODE			

ACCESSORIES

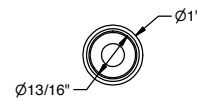
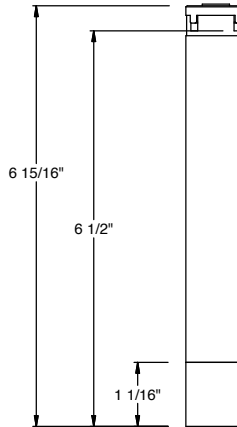
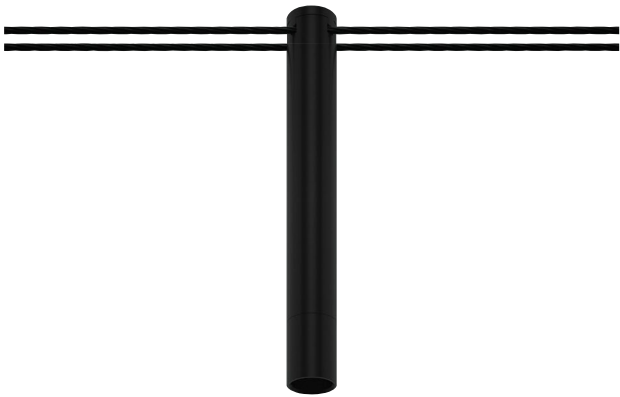
Accessories1

SKY-SNOOT	narrow beam deep regress for extreme cutoff
SKY-WAND	cylindrical opal optic
SKY-PRISM	faceted clear globe
SKY-DIAMOND	faceted clear diamond
SKY-SHADE	shade
SKY-GLOBE	opal globe
SKY-OGLOBE	open opal globe
SKY-DGLOBE	diffused globe
SKY-CGLOBE	clear globe
SKY-HGLOBE	opal/metal half globe

Notes

1. Accessories are field changeable

SNOOT

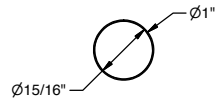
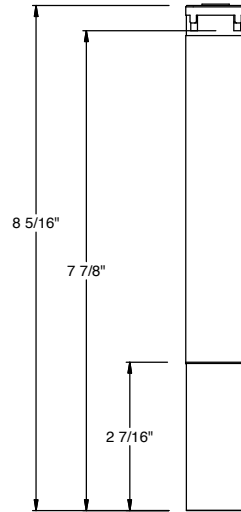


EPA - 0.0577 sq. ft
Weight - 0.271 lbs. / 4.33 oz.

PROJECT INFORMATION			
JOB NAME		TYPE	
ORDERING CODE			

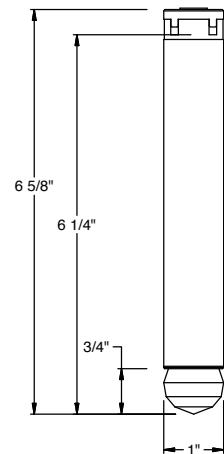
ACCESSORIES (CONTINUED)

WAND



EPA - 0.0692 sq. ft.
Weight - 0.320 lbs. / 5.12 oz.

PRISM



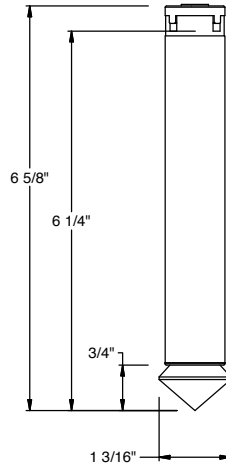
EPA - 0.0552 sq. ft.
Weight - 0.295 lbs. / 4.72 oz.

PROJECT INFORMATION

JOB NAME		TYPE	
ORDERING CODE			

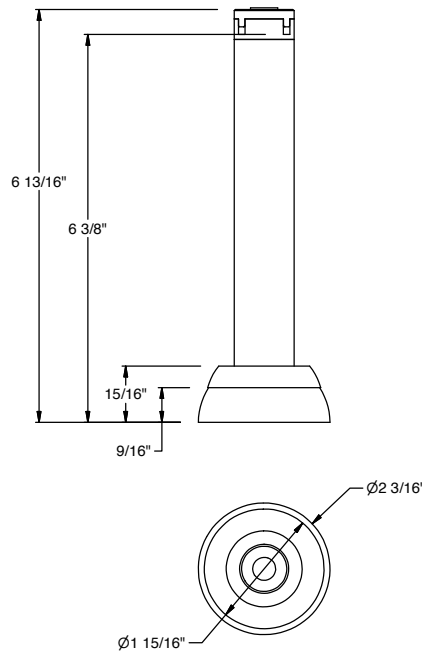
ACCESSORIES (CONTINUED)

DIAMOND



EPA - 0.0552 sq. ft
Weight - 0.295 lbs. / 4.72 oz.

HGLOBE



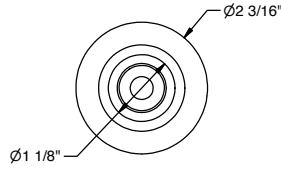
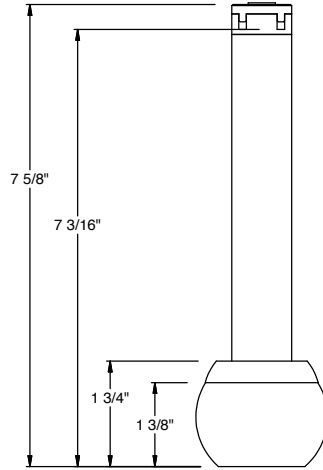
EPA - 0.0659 sq. ft
Weight - 0.280 lbs. / 4.48 oz.

PROJECT INFORMATION

JOB NAME		TYPE	
ORDERING CODE			

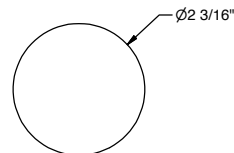
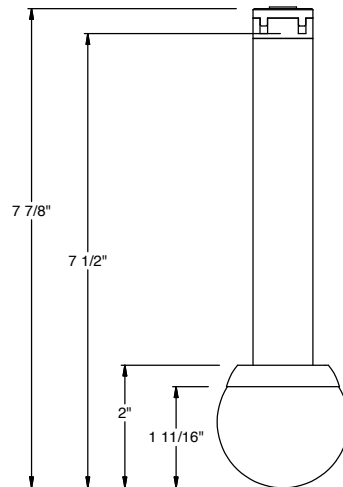
ACCESSORIES (CONTINUED)

OPEN OPAL GLOBE



EPA - 0.0806 sq. ft
Weight - 0.302 lbs. / 4.83 oz.

OPAL GLOBE



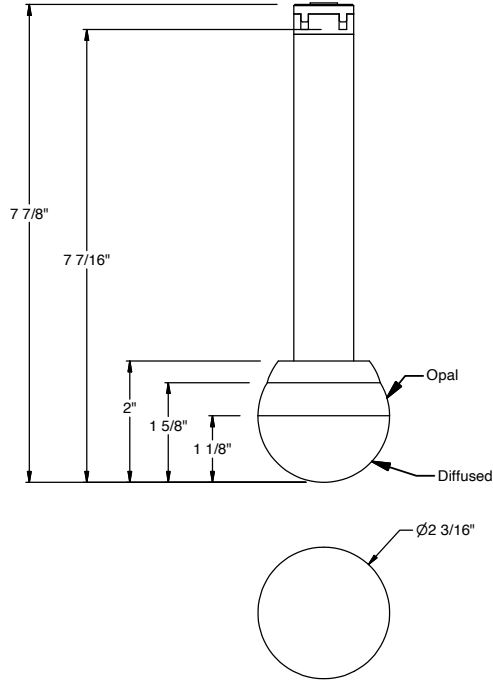
EPA - 0.0854 sq. ft
Weight - 0.308 lbs. / 4.93 oz.

PROJECT INFORMATION

JOB NAME		TYPE	
ORDERING CODE			

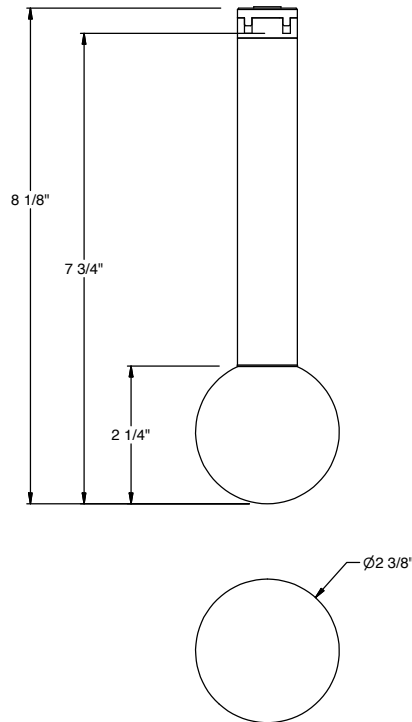
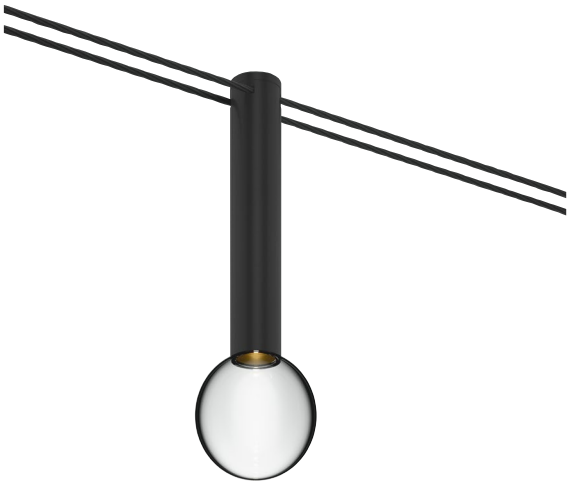
ACCESSORIES (CONTINUED)

DIFFUSED GLOBE



EPA - 0.0854 sq. ft
Weight - 0.308 lbs. / 4.93 oz.

CLEAR GLOBE



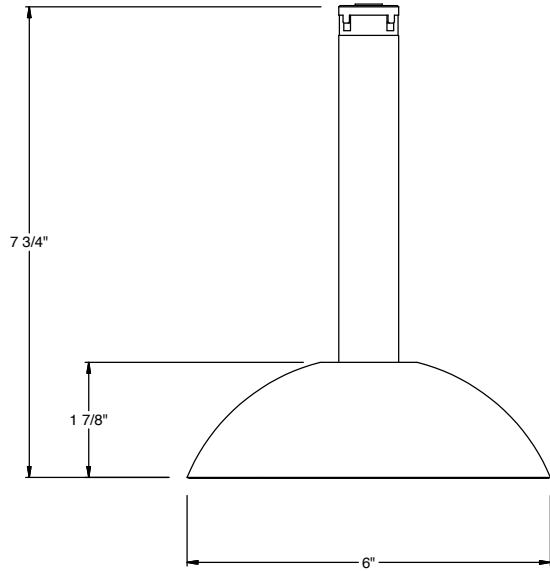
EPA - 0.0854 sq. ft
Weight - 0.308 lbs. / 4.93 oz.

PROJECT INFORMATION

JOB NAME		TYPE	
ORDERING CODE			

ACCESSORIES (CONTINUED)

SHADE



EPA - 0.1465 sq. ft
Weight - 0.372 lbs. / 5.93 oz.