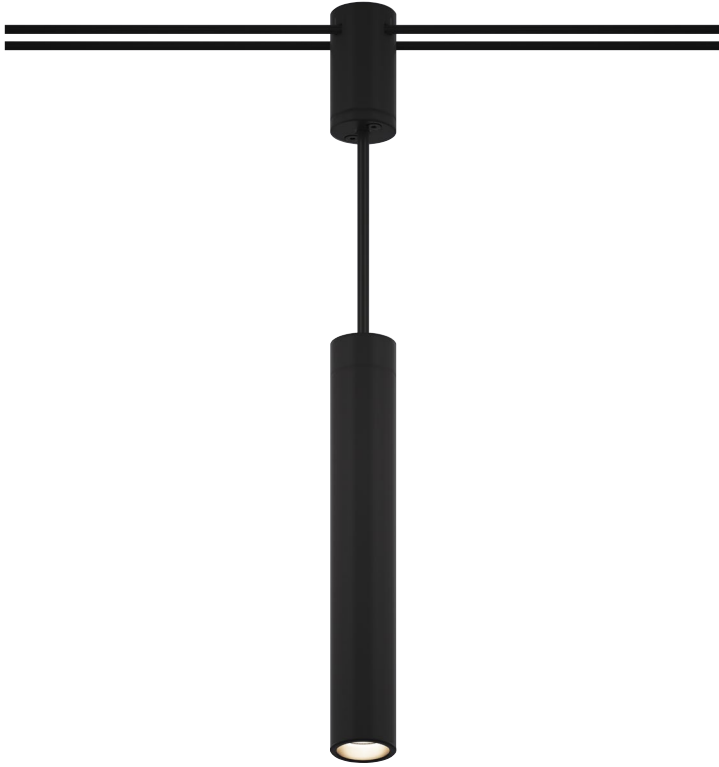


SKYLINE

Outdoor / Indoor Catenary Fixture IP67
Standard White Pendant



FEATURES

SKYLINE is a lightweight, highly versatile, and exceptionally elegant catenary system for indoor and outdoor applications. Up to 780 lumens from a 1" aperture cylinder. SKYLINE enables safe, reliable, clutter-free catenary on strong woven Kevlar, self-healing cable with marine grade, hard anodized aluminum fixture housings. Applications are endless, from outdoor gathering spaces to indoor accent lighting for retail and hospitality.

HOUSING

- Hard anodized, marine grade aluminum in matte black.
- Polycarbonate protective IK10 rated.
- Ambient operating temperatures Min. -40°F / Max 131°F.
- IP 67 rated Down or Spot: standard, snoot, wand and prism

MOUNTING

- Twin cable powered suspended catenary system

ELECTRICAL /CONTROLS

- 0-10V and DALI dimmable, see remote drivers for details.
- 24VDC input

LISTING

- ETLus listed to UL2108 (suitable for dry, damp and wet locations)
- cETL listed to CSA C22.2 #250.0
- Accessories are not approved for International Dark-Sky Association certification.
- 3000k or warmer must be selected for International Dark-Sky Association approval.

LED INFO

- 90 CRI: SDCM = 3-step MacAdam Ellipse, Lumen Maintenance: L₇₀ > 100,000 hrs
- 80 CRI: SDCM = 3-step MacAdam Ellipse, Lumen Maintenance: L₇₀ > 100,000 hrs

PROJECT INFORMATION

JOB NAME		TYPE	
ORDERING CODE			

ORDERING CODE

SERIES	EXT	exterior
TYPE	SKY-P	skyline, pendant
LED	SW	standard white
DELIVERED LUMENS	10LM	780 lm
CCT	27K 30K 35K 40K	2700K 3000K 3500K 4000K
CRI	80 90	80 CRI 90 CRI (0.85)
LENS OPTION	20D 25D 30D 40D E	20 degrees 25 degrees 30 degrees 40 degrees elliptical beam spread 40°X20°
VOLTAGE	24	24V
DIMMING	See last page for details.	
FINISH	BK	black
BEZEL COLOR	BK MC GD	black matte chrome gold
ACCESSORIES	See page 3 for details.	
PENDANT LENGTH	XX	catenary pendant, complete XX code with pendant length, from 6" to 72"

ORDERING CODE

Follow the steps to specify your fixture, example:

EXT - SKY - P - SW - 10LM - 30K - 90 - 20D - 24 - BK - BK - 48

SW (LED)	POWER	
DELIVERED LM	W (80/90 CRI)	LPW
780	10	78

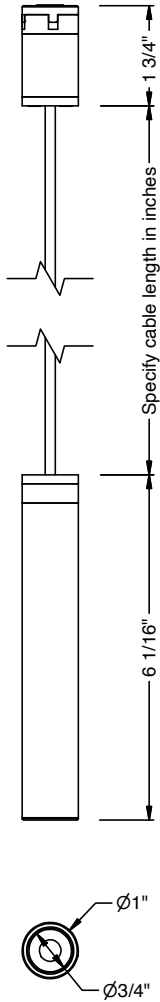
EFFECTIVE PROJECTED AREA RATINGS (EPA)

SKYLINE CONFIGURATION	EPA (FT ²)	WEIGHT - LBS. / OZ.
SKY-P	0.0623	0.320 / 5.12
XX, PENDANT LENGTH PER FOOT	0.0173	0.020 / 0.32
SKT-D - SNOOT	0.0711	0.349 / 5.58
SKT-D - WAND	0.0826	0.401 / 6.42
SKT-D - PRISM	0.0685	0.373 / 5.97
SKT-D - DIAMOND	0.0685	0.373 / 5.97
SKT-D - SHADE	0.1598	0.450 / 7.18
SKT-D - GLOBE OPEN	0.0935	0.383 / 6.13
SKT-D - GLOBE	0.0987	0.389 / 6.22
SKT-D - GLOBE DIFFUSED	0.0987	0.389 / 6.22
SKT-D - GLOBE CLEAR	0.1068	0.380 / 6.08
SNOOT	0.0088	0.029 / 0.464
WAND	0.0203	0.081 / 1.296
PRISM	0.0062	0.053 / 0.848
DIAMOND	0.0062	0.053 / 0.848
SHADE	0.0975	0.130 / 2.063
GLOBE OPEN	0.0312	0.063 / 1.008
GLOBE	0.0364	0.069 / 1.104
GLOBE DIFFUSED	0.0364	0.069 / 1.104
GLOBE CLEAR	0.0445	0.060 / 0.960
HALF GLOBE	0.0171	0.040 / 0.640

PROJECT INFORMATION

JOB NAME		TYPE	
ORDERING CODE			

PRODUCT DIMENSIONS



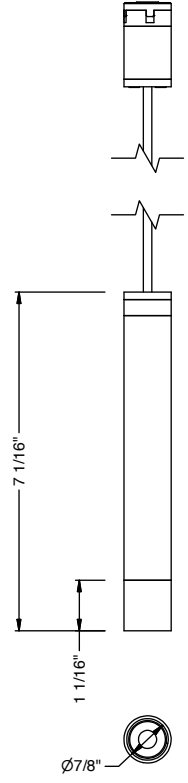
EPA - 0.0623 sq. ft + (0.0173 x cable length per foot)
Weight - 0.320 lbs. / 5.12 oz. + 0.020 lbs. / 0.32 oz. cable length per foot

PROJECT INFORMATION			
JOB NAME		TYPE	
ORDERING CODE			

ACCESSORIES (CONTINUED)

- Accessories1**
- SKY-SNOOT** narrow beam deep regress for extreme cutoff
 - SKY-WAND** cylindrical opal optic
 - SKY-PRISM** faceted clear globe
 - SKY-DIAMOND** faceted clear diamond
 - SKY-SHADE** shade
 - SKY-GLOBE** opal globe
 - SKY-OGLOBE** open opal globe
 - SKY-DGLOBE** diffused globe
 - SKY-CGLOBE** clear globe
 - SKY-HGLOBE** opal/metal half globe
 - NOTES** Accessories are field changeable

SNOOT



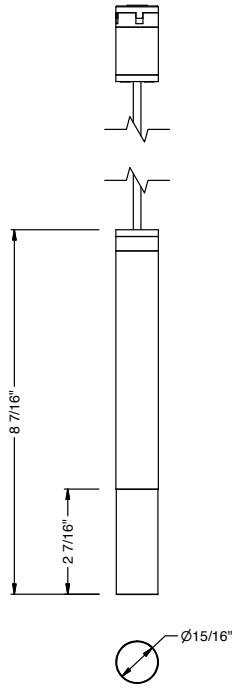
EPA - 0.0711 sq. ft + (0.0173 x cable length per foot)
 Weight - 0.349 lbs. / 5.58 oz. + 0.020 lbs. / 0.32 oz. cable length per foot

PROJECT INFORMATION

JOB NAME		TYPE	
ORDERING CODE			

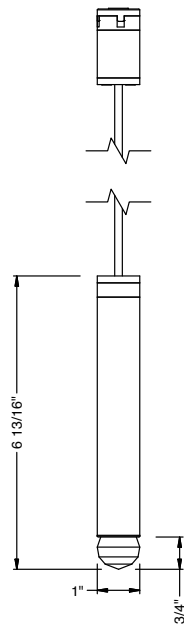
ACCESSORIES (CONTINUED)

WAND



EPA - 0.0826 sq. ft + (0.0173 x cable length per foot)
 Weight - 0.401 lbs. / 6.42 oz. + 0.020 lbs. / 0.32 oz. cable length per foot

PRISM



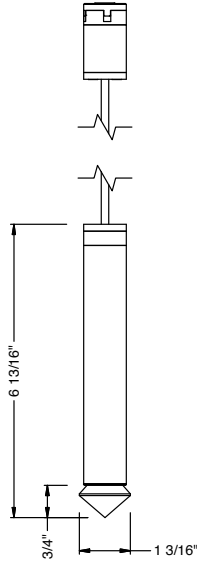
EPA - 0.0685 sq. ft + (0.0173 x cable length per foot)
 Weight - 0.373 lbs. / 5.97 oz. + 0.020 lbs. / 0.32 oz. cable length per foot

PROJECT INFORMATION

JOB NAME		TYPE	
ORDERING CODE			

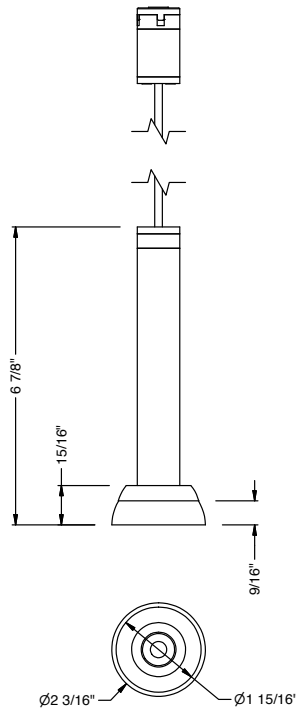
ACCESSORIES (CONTINUED)

DIAMOND



EPA - 0.0685 sq. ft + (0.0173 x cable length per foot)
 Weight - 0.373 lbs. / 5.97 oz. + 0.020 lbs. / 0.32 oz. cable length per foot

HGLOBE



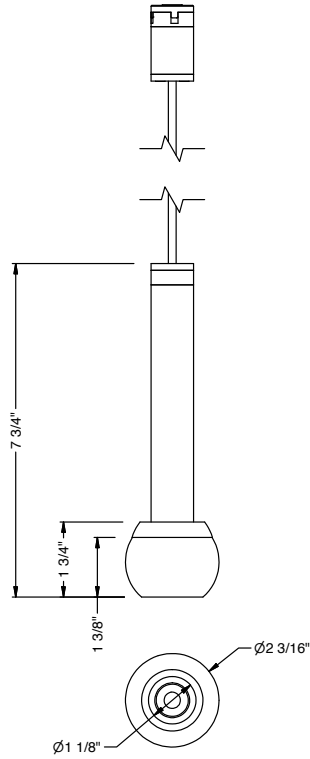
EPA - 0.0794 sq. ft + (0.0173 x cable length per foot)
 Weight - 0.360 lbs. / 5.76 oz. + 0.020 lbs. / 0.32 oz. cable length per foot

PROJECT INFORMATION

JOB NAME		TYPE	
ORDERING CODE			

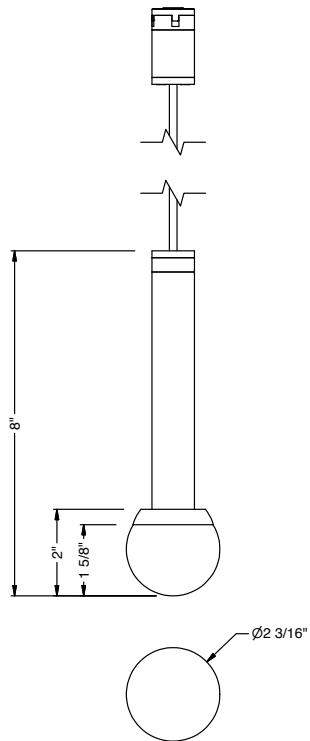
ACCESSORIES (CONTINUED)

OPEN OPAL GLOBE



EPA - 0.0935 sq. ft + (0.0173 x cable length per foot)
 Weight - 0.383 lbs. / 6.13 oz. + 0.020 lbs. / 0.32 oz. cable length per foot

OPAL GLOBE

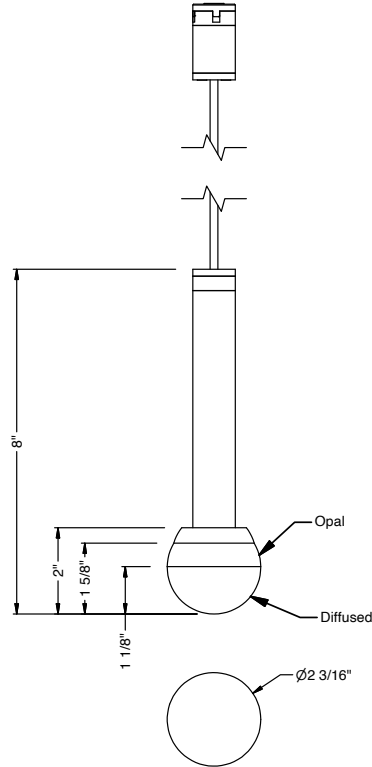


EPA - 0.0987 sq. ft + (0.0173 x cable length per foot)
 Weight - 0.389 lbs. / 6.22 oz. + 0.020 lbs. / 0.32 oz. cable length per foot

PROJECT INFORMATION			
JOB NAME		TYPE	
ORDERING CODE			

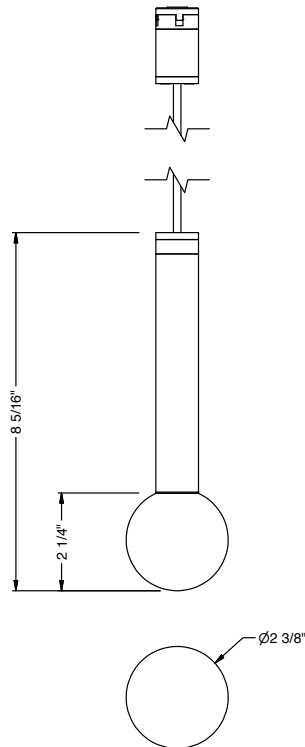
ACCESSORIES (CONTINUED)

DIFFUSED GLOBE



EPA - 0.0987 sq. ft + (0.0173 x cable length per foot)
 Weight - 0.389 lbs. / 6.22 oz. + 0.020 lbs. / 0.32 oz. cable length per foot

CLEAR GLOBE



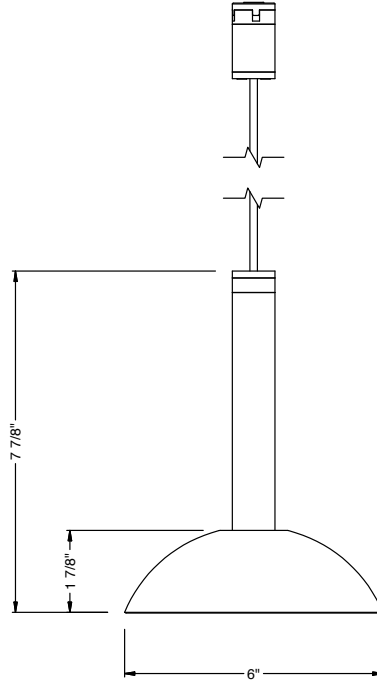
EPA - 0.1068 sq. ft + (0.0173 x cable length per foot)
 Weight - 0.380 lbs. / 6.08 oz. + 0.020 lbs. / 0.32 oz. cable length per foot

PROJECT INFORMATION

JOB NAME		TYPE	
ORDERING CODE			

ACCESSORIES (CONTINUED)

SHADE



EPA - 0.160 sq. ft + (0.0173 x cable length per foot)
 Weight - 0.450 lbs. / 7.18 oz. + 0.020 lbs. / 0.32 oz. cable length per foot