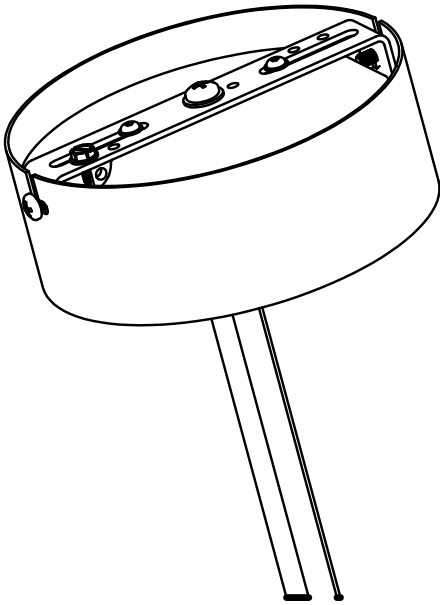


WEP LLED & LE26



WARNING - PLEASE READ ALL INSTRUCTIONS PRIOR TO INSTALLATION. READ AND FOLLOW ALL WARNINGS AND INSTRUCTIONS BEFORE INSTALLING OR MAINTAINING THIS PRODUCT. TURN OFF POWER PRIOR TO ANY WORK ON THE SYSTEM OR PRODUCT. DO NOT INSTALL DAMAGED PRODUCT.

Installing, wiring, and maintenance must be done by qualified persons or a certified electrician in accordance with all local and National Electrical Codes.

Warranty is voided in case of unauthorized modifications and/or improper use.

Save these instructions and refer to them when additions, changes, or services to the fixture or system are made.

CAUTION - Do not install any fixture assembly closer than 6 inches (15.24cm) from any combustible material (insulation).

Refer to product label for voltage requirements and properly ground fixture in accordance with all local and national electrical codes.

Product will support dimming with compatible lamp and dimmer.

Suitable for dry locations.

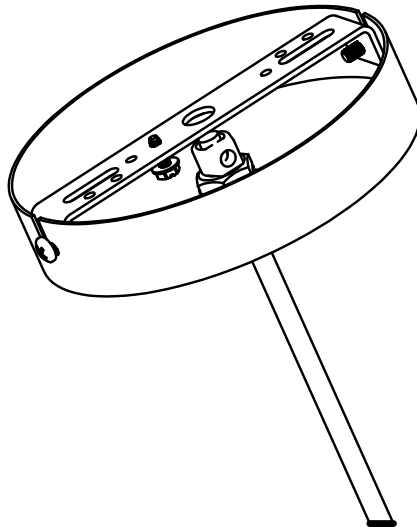
DO NOT use chemicals or water to clean shade, ONLY use DRY cloth.

Must use suspension kit (p/n: K20263) when provided.

120 VAC input for Phase dimming (ELV/Triac)

120/277 input for DIM10

Max 100W lamp



WARNING

- To avoid possible electrical shock, before installing light fixtures, disconnect power by turning off the circuit breakers both to the outlet box and to its associated wall switch location. If you cannot lock the circuit breakers in the off position, securely fasten a prominent warning device, such as a tag, to the service panel.
- Verify that supply voltage is correct by comparing it with the luminaire label information.
- Make all electrical and ground connections in the accordance with the National Electrical Code (NEC) and any applicable local code requirements.
- Wait for fixture and driver to cool before servicing and performing maintenance.

CAUTION

- All wiring must comply with national and local electrical codes and ANSI/NFPA 70. If you are unfamiliar with wiring, consult a qualified electrician.
- PPE Personal Protective Equipment such as gloves and safety glasses should always be used when installing, maintaining or servicing.
- Risk of fire. Keep combustible material away from fixtures.

ADVERTENCIA

- Para evitar un choque eléctrico, antes de instalar luminarias, desconecte la alimentación apagando los interruptores de circuito en el panel de servicio y en las paredes. Si no es posible bloquear los interruptores en la posición de apagado, sujete una etiqueta de seguridad en el panel de servicio.
- Compruebe que la tensión de alimentación es correcta comparándola con la información en la etiqueta de la luminaria.
- Haga todas las conexiones eléctricas y puesta a tierra de acuerdo con el código eléctrico nacional (NEC) y los requisitos del código local aplicable.
- Espere hasta que la luminaria y el controlador se enfríen antes de empezar el servicio y mantenimiento.

PRECAUCION

- Todo el cableado debe cumplir con los códigos eléctricos nacionales y locales y ANSI/NFPA 70. Si no está familiarizado con el cableado, consulte a un electricista.
- Al instalar, mantener o reparar, siempre se debe utilizar equipo de protección personal como guantes y lentes de seguridad
- Riesgo de incendio. Mantenga los materiales combustibles lejos de las luminarias.

AVERTISSEMENT

- Pour éviter les chocs, avant d'installer des appareils d'éclairage, coupez l'alimentation en désactivant les disjoncteurs et l'emplacement du commutateur mural. Si vous ne pouvez pas verrouiller les disjoncteurs en position d'arrêt, fixer un avertissement sur le panneau de service.
- Vérifiez que la tension d'alimentation est correcte en le comparant avec les informations d'étiquette de luminaire.
- Effectuer tous les raccordements électriques et mise à la terre dans la conformité avec le Code électrique National (NEC) et des exigences du code local applicable.
- Laisser suffisamment de temps pour l'appareil et pilote refroidir avant d'effectuer l'entretien et la maintenance.

MIS EN GARDE

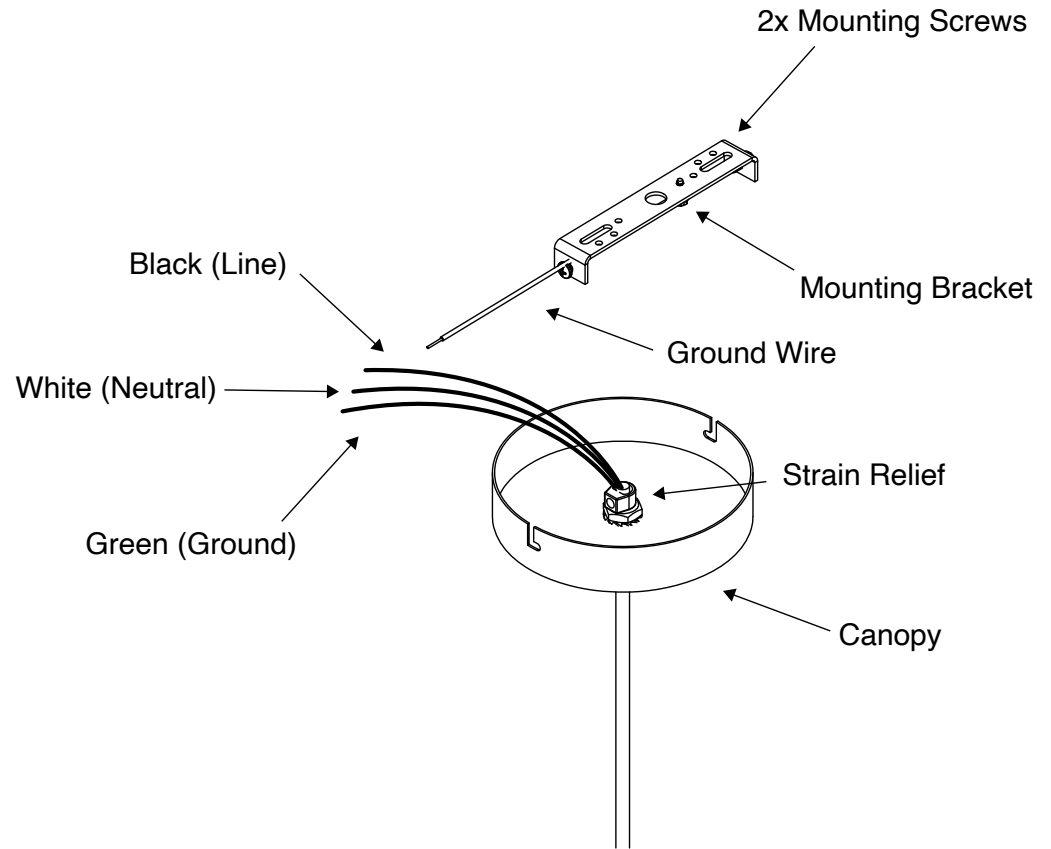
- Tout le câblage doit être effectué conformément aux codes électriques locaux et nationaux et ANSI/NFPA 70. Si vous êtes peu familier avec câblage, vous devez utiliser un électricien qualifié.
- Équipement de protection personnelle comme des gants et des lunettes de sécurité doivent être utilisés en tout temps lors de l'installation, maintenance ou entretien.
- Risque d'incendie. Garder les matières combustibles loin de luminaires.

WEP LLED & LE26

INSTRUCTIONS FOR USE

De-energize circuit before installation.

1. Thread on cable stem to fixture top cover
2. Secure mounting bracket to a J-Box (J-Box and mounting hardware supplied by others) for use with 3-1/2" and 4" octagonal recessed junction boxes with 3/4" mounting hole spacing. (Appropriate device ring cover may be required and to be supplied by others.)
3. 3/4" mounting hole spacing. (Appropriate device ring cover may be required and to be supplied by others.)
4. If required, cut excess cable and adjust strain relief with small flat head screwdriver. Remove outside cable sheath and strip individual wires.
5. Ensure to tighten all strain reliefs
6. Properly ground mounting bracket, canopy, and fixture in accordance with all local and national electrical codes.
7. Connect line, neutral, and ground wires to building electrical supply. If product supports optional dimming, connect dimming leads to dimming control system (provided by others) or isolate wires individually. Refer to product cut sheet for input voltage requirements.
8. Raise fixture and fasten the canopy on to the mounting bracket with the supplied mounting screws.
9. Energize circuit and test for proper operation.



1



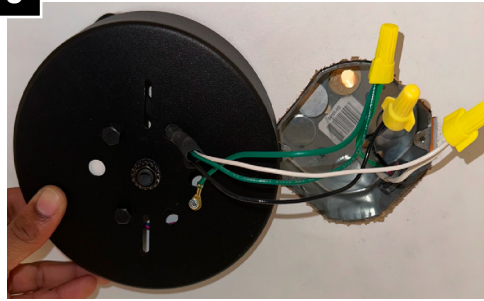
Remove driver bracket from canopy. Connect line voltage and ground wires to building wires. (If necessary, connect dim wires)

2

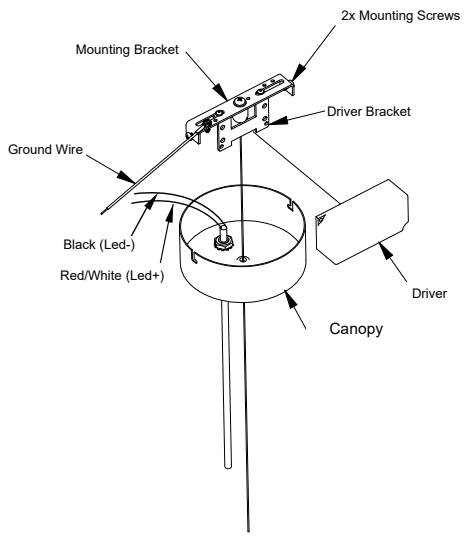


Place line voltage wires inside junction box.

3



Fasten mounting bracket to junction box using j-box screws (by others).



4



Pass WEP shade cable through strain relief on canopy.

5



Connect LED + and LED - wires from fixture to LED + and LED - wires from driver.
Note: Wire leads from WEP shade may be Black / White. Reference Labels.
DO NOT WIRE TO LINE VOLTAGE.

6



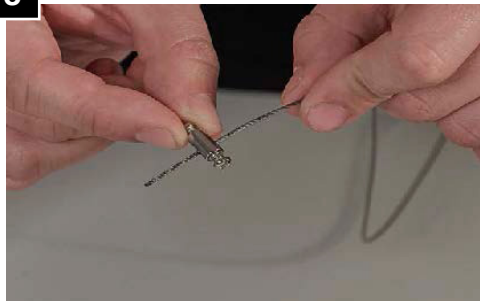
Feed aircraft suspension cable through the grommet hole and twist to the correct position.

7



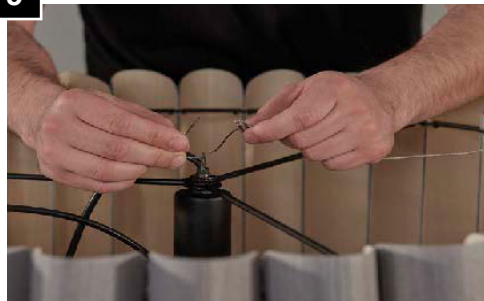
Fasten canopy screw to the canopy.

8



Pass aircraft cable through one hole of strain relief.

9



Loop same end of aircraft cable through balancer.

10



Continue to feed aircraft through remaining opening of strain relief.

11



Tighten both screw of strain relief and adjust aircraft cable length as needed. Cut loose aircraft cable if necessary.

