

## PAULINA OVAL

Canopy, Track SW WD E26

WEPLIGHT  
COLLECTION



### FEATURES

- Designed, handcrafted, and painted by Master Artisans
- Made to order, eliminating waste
- 6 wood stains + 11 colors to mix & match
- Traditional E26 socket or range of LED options. 3000K, 3500K, & Warm Dim 3000K, dim to 1800K

### HOUSING

- Composed of recycled, locally sourced reconstructed wood veneer
- USA factory assembled shades with some exceptions due to size
- Due to hand-crafted nature, colors may vary from fixture to fixture and from photo

### MOUNTING

- Paulina 116 : Bayonet canopy with 108" cord, field adjustable
- Paulina 80, 145 & 200: Air craft cable suspension with canopy and 108" cord, field adjustable.
- Paulina 80OVL: 6.32 lbs.
- Paulina 116OVL: 8.82 lbs.
- Paulina 145OVL: 9.92 lbs.
- Paulina 200OVL: 11.9 lbs.

### LISTING

- ULus listed to UL1598 (suitable for indoor use and dry locations only)
- cUL listed to CSA C22.2 #250.0

#### CCT AT LIGHT LEVEL (%LF) FOR WARM DIM LED

%LF	CCT
100%	3000
50%	2800
25%	2300
10%	1900
5%	1800

PROJECT INFORMATION		
JOB NAME		TYPE
ORDERING CODE		

### ORDERING CODE

SERIES	WEP	wood shade
TYPE	PAU	paulina
SIZE	80OVL <sup>1</sup> 116OVL 145OVL <sup>2,3</sup> 200OVL <sup>2,3,4</sup>	80 oval pendant, 2 x light source 116 oval pendant, 3 x light source 145 oval pendant, 4 x light source 200 oval pendant, 5 x light source
LIGHT SOURCE	LE26 <sup>5</sup> LLED	E26 socket LED, 1000 lm
CCT	30K 35K 3018	3000K, standard white LED 3500K, standard white LED 3000K, dim to 1800K, warm dim LED
CRI	90 <sup>6</sup> 95 <sup>7</sup>	90 CRI, standard white 95 CRI, warm dim
MOUNTING OPTION	PBK PMC PWH	canopy, black with black cable canopy, matte chrome with black cable canopy, white with white cable
OUTER SHADE COLOR	ASH BCH BLU EBY GRN GYO OCH PGR PTB RED ROS TRC WHT WNG YLW LPT VLT	ash beech blue ebony green grey oak ocher pale green petiribi red rose teracotta white wenge yellow light petrol violet
INNER SHADE COLOR	ASH BCH BLU EBY GRN GYO OCH PGR PTB RED ROS TRC WHT WNG YLW LPT VLT	ash beech blue ebony green grey oak ocher pale green petiribi red rose teracotta white wenge yellow light petrol violet

### ORDERING CODE

Follow the steps to specify your fixture, example:  
WEP - PAU - 116OVL - LE26 - PBK - PTB - PTB

#### NOTES

1. PBK mount only when ordered with LE26 light source.
2. 80OVL, 145OVL & 200OVL available in PBK and PWH mounting only.
3. Assembly required.
4. 200OVL available in LE26 light source only.
5. 15W E26 socket available, use base option code LE26-15.
6. 90 CRI for standard white only.
7. 95 CRI for warm dimming only.

### COLOR OPTIONS



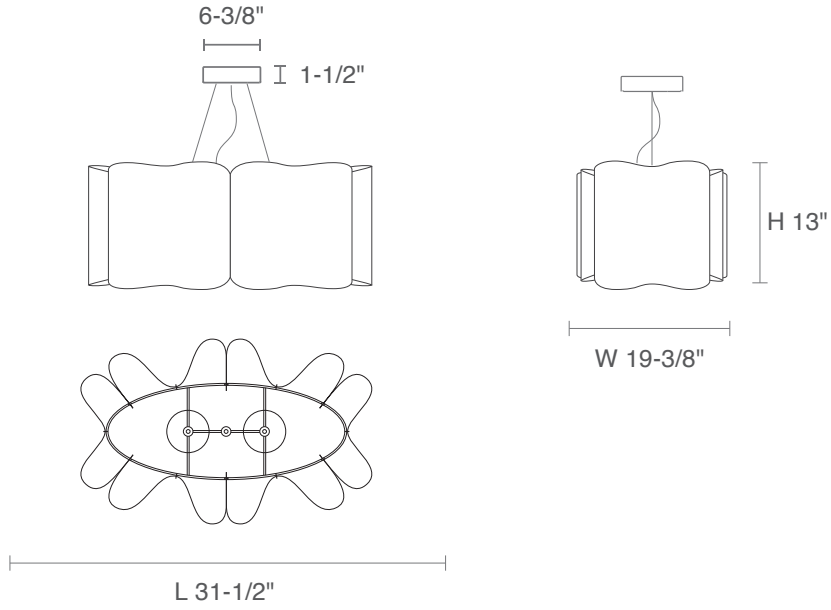
PROJECT INFORMATION		
JOB NAME		TYPE
ORDERING CODE		

## LIGHT SOURCE

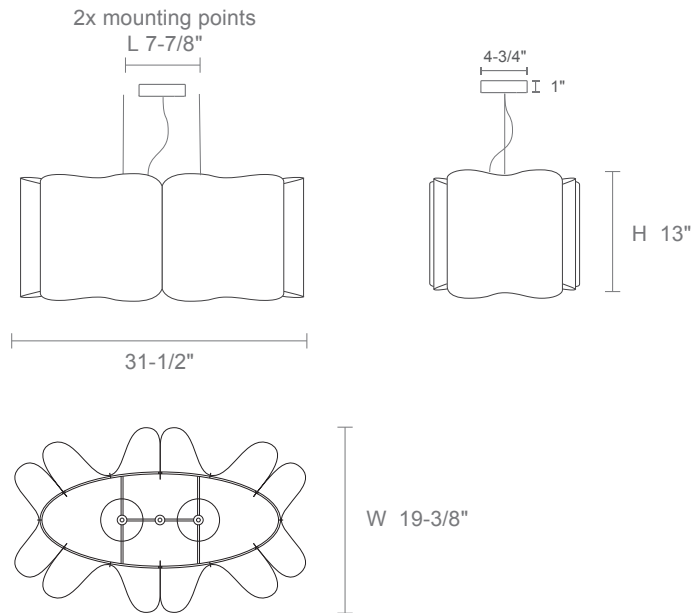
Light Source	LLED - Static White LED	LLED - Warm Dim LED	LE26 - E26 Socket
<b>Performance</b>			
LED	Cree CMT 1420	Luminus CDM-9	Lamp Dependant
Lumens	1150lm	850lm	
CCT	3000K or 3500K	3000K to 1800K	
SDCM	2-Step MacAdam Ellipse	3-Step MacAdam Ellipse	
CRI	>90	>95	
Lumen Maintenance	L <sub>80</sub> > 41,500 hours	L <sub>70</sub> > 54,000 hours	
<b>Technical Specs</b>			
Socket Listing	Integrated LED module ETLus Listed to UL1598, and UL1574 (Suitable for dry locations only) cETL Listed to CSA C22.2 #250.0 and #9.0	Integrated LED module ETLus Listed to UL1598, and UL1574 (Suitable for dry locations only) cETL Listed to CSA C22.2 #250.0 and #9.0	Medium E26 base socket ETLus Listed to UL1598, and UL1574 (Suitable for dry locations only) cETL Listed to CSA C22.2 #250.0 and #9.0
<b>Mounting</b>			
Canopy	120-277Vac, 50/60Hz input 14.3W, 14.9VA Tri-mode dimming (Triac, ELV and 0-10V)	120-277Vac, 50/60Hz input 15.6W, 16.1VA Tri-mode dimming (Triac, ELV and 0-10V)	120Vac input 100W, 100VA (max 100W lamp) Dimmable (with compatible lamp)
Line Voltage Track	120Vac, 50/60Hz input 14.3W, 14.9VA Triac and ELV phase dimming	120Vac, 50/60Hz input 15.6W, 16.1VA Triac and ELV phase dimming	120Vac input 100W, 100VA (max 100W lamp) Dimmable (with compatible lamp)
<b>Warranty</b>			
	5 year limited fixture warranty	5 year limited fixture warranty	1 year limited fixture warranty

PROJECT INFORMATION		
JOB NAME		TYPE
ORDERING CODE		

## MOUNTING OPTIONS



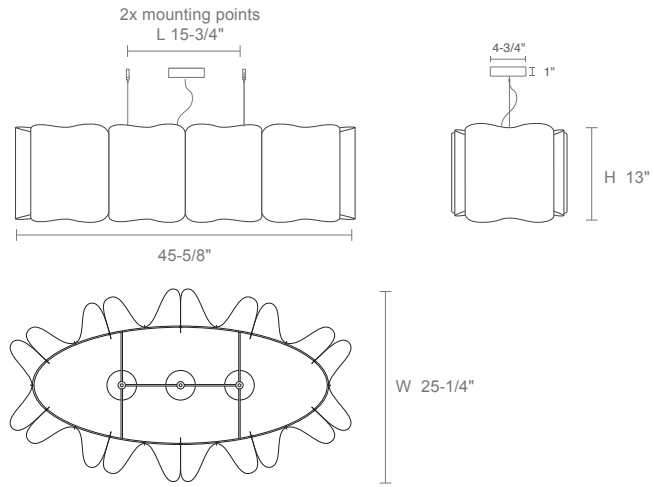
**PAULINA OVAL 80**



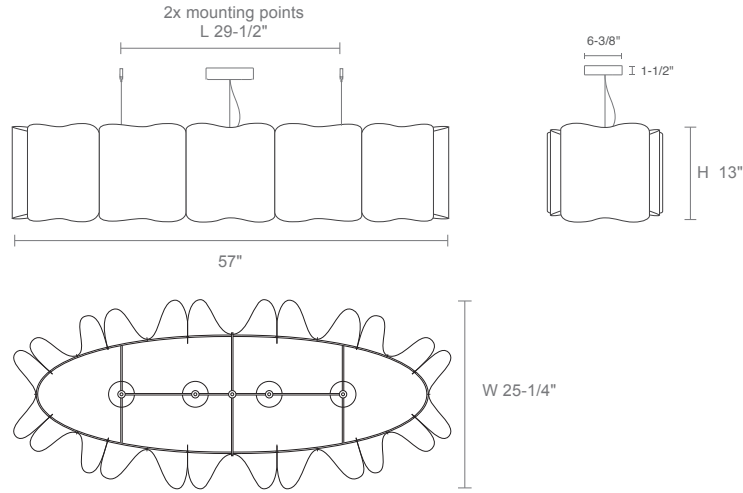
**PAULINA OVAL 80 LLED**

PROJECT INFORMATION		
JOB NAME		TYPE
ORDERING CODE		

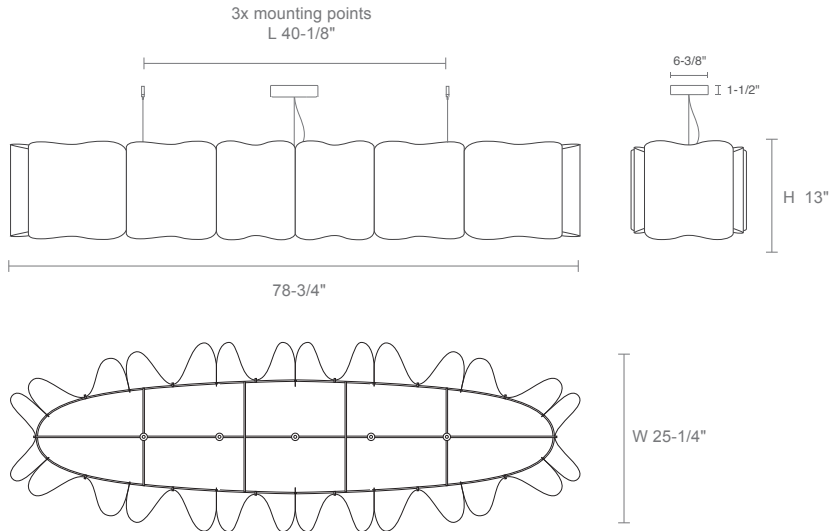
## MOUNTING OPTIONS



**PAULINA OVAL 116**



**PAULINA OVAL 145**



**PAULINA OVAL 200**