

Wundercab CCT Select

Premium Diffusion 120V Series



WARNING – PLEASE READ ALL INSTRUCTIONS PRIOR TO INSTALLATION. READ AND FOLLOW ALL WARNINGS AND INSTRUCTIONS BEFORE INSTALLING OR MAINTAINING THIS PRODUCT. TURN OFF POWER PRIOR TO ANY WORK ON THE SYSTEM OR PRODUCT. NO USER SERVICEABLE PARTS INSIDE. DO NOT INSTALL DAMAGED PRODUCT. TO PREVENT OVERHEATING DO NOT INSTALL IN SMALL ENCLOSED SPACES. DO NOT INSTALL THIS PRODUCT IN AN ENVIRONMENT OUTSIDE THE LISTED AMBIENT TEMPERATURE: 4° - 113° F 300W MAXIMUM LINEAR RUN. RISK OF FIRE OR ELECTRIC SHOCK. SUITABLE FOR INDOOR DRY LOCATIONS.

Turn off power before changing lamp.

Use only on 120 volts circuits.

Risk of electric shock - do not use where directly exposed to water.

Not suitable for totally enclosed fixtures. Not intended for use with emergency exit lamp or fixture.

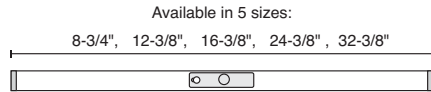
Not for use where directly exposed to the weather.

May not compatible with all dimmer switches.

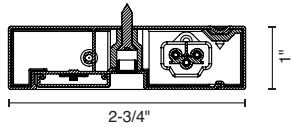
Do not use this fixture close to any source of heat.

Not intended for use with emergency exit fixture.

Place the device out of reach from children under 3 years old.



Knockout located at center of all lengths



⚠ WARNING ⚠

- To avoid possible electrical shock, before installing light fixtures, disconnect power by turning off the circuit breakers both to the outlet box and to its associated wall switch location if you cannot lock the circuit breakers in the off position, securely fasten a prominent warning device, such as a tag to the service panel.
- Verify that supply voltage is correct by comparing it with the luminaire label information.
- Make all electrical and grounded connections in the accordance with the National Electrical Code (NEC) and any applicable local code requirements.
- Allow sufficient time for fixture and / or driver to cool before servicing and performing maintenance.

⚠ CAUTION ⚠

- All wiring must be in accordance with national and local electrical codes and ANSI/NFPA 70. If you are unfamiliar with wiring you should use qualified electrician.
- PPE Personal Protective Equipment such as gloves and safety glasses should be used at all times when installing, maintaining or servicing.
- Risk of fire. Keep combustible material away from fixtures.

⚠ ADVERTENCIA ⚠

- Para evitar un posible choque, antes de instalar luminarias, desconecte la alimentación apagando los interruptores de circuito y ubicación del interruptor de pared. Si no se pueden bloquear los interruptores en la posición de apagado, sujetar un dispositivo de advertencia en el panel de servicio.
- Compruebe que la tensión de alimentación es correcta comparándola con la información de etiqueta de la luminaria.
- Hacer todas las conexiones eléctricas y puesta a tierra de acuerdo con el código eléctrico nacional (NEC) y los requisitos del código local aplicable.
- Permitir suficiente tiempo para el luminario y el controlador para enfriar antes de enpesar el servicios y mantenimiento.

⚠ PRECAUCION ⚠

- Todo el cableado debe hacerse de conformidad con los códigos eléctricos nacionales y locales y ANSI/NFPA 70. Si no está familiarizado con el cableado, se debe utilizar a un electricista.
- Equipo de protección personal como guantes y lentes de seguridad se debe utilizar al instalar, mantener o reparar.
- Riesgo de incendio. Mantenga los materiales combustibles lejos de los liminario.

⚠ AVERTISSEMENT ⚠

- Pour éviter les chocs, avant d'installer des appareils d'éclairage, coupez l'alimentation en désactivant les disjoncteurs et l'emplacement du commutateur mural. Si vous ne pouvez pas verrouiller les disjoncteurs en position d'arrêt, fixer un avertissement sur le panneau de service.
- Vérifiez que la tension d'alimentation est correcte en le comparant avec les informations d'étiquette de luminaire.
- Effectuer tous les raccordements électriques et mise à la terre dans la conformité avec le Code électrique National (NEC) et des exigences du code local applicable.
- Laisser suffisamment de temps pour l'appareil et pilote refroidir avant d'effectuer l'entretien et la maintenance.

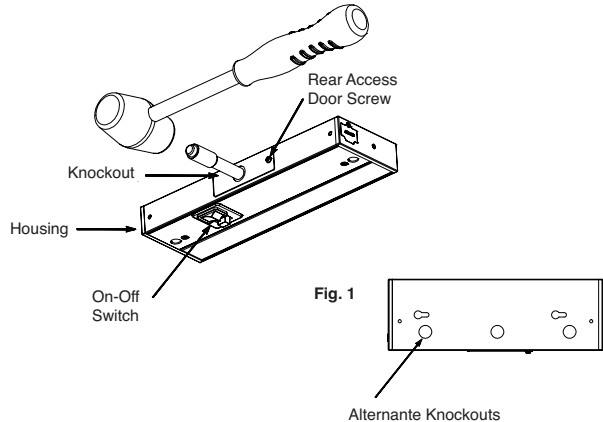
⚠ MIS EN GARDE ⚠

- Tout le câblage doit être effectué conformément aux codes électriques locaux et nationaux et ANSI/NFPA 70. Si vous êtes peu familier avec câblage, vous devez utiliser un électricien qualifié.
- Équipement de protection personnelle comme des gants et des lunettes de sécurité doivent être utilisé en tout temps lors de l'installation, maintenance ou entretien.
- Risque d'incendie. Garder les matières combustibles loin de luminaires.

INSTALLATION

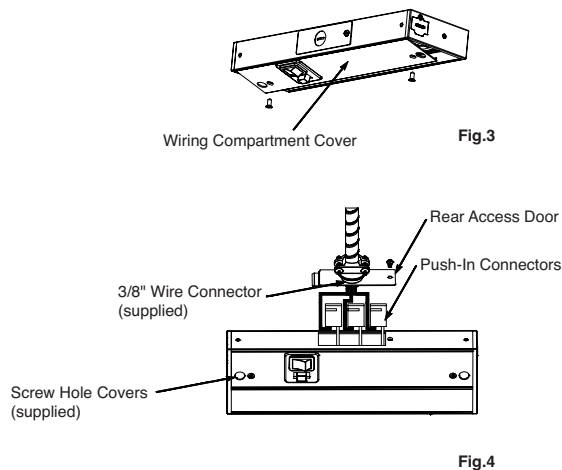
The fixture is suitable for indoor dry locations only.

- Determine location to install fixture(s)
WARNING: To prevent wiring damage or abrasion, do not expose wiring to edges of sharp objects.
- Access wiring compartments using option A or B:
 A) Rear access door knockout (Fig. 1).
 Remove knockout by using a punch tool (not supplied). Loosen rear access door screw and remove door.



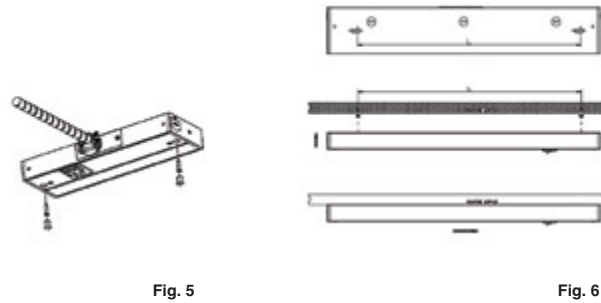
B) Alternate knockouts (except for 8 inch)
 Alternate knockouts are located along the back and top of housing. Remove Wiring Compartment Cover.

- To access internal wiring remove compartment cover (Fig. 3). Feed wires through 3/8" wire connector (supplied) and install connector to rear access door. Wire cable push in connectors. Secure rear access door to fixture (Fig. 4).



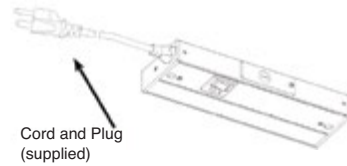
- A) Secure fixture to mounting surface using flat head wood screws (supplied). Be careful not to drive screws all the way through the cabinet bottom. Use shorter screws if necessary (supplied by others). Once the fixture is secure to surface insert screw hole covers (Fig. 5)

B) Use bottom holes to install the light. Confirm the position that you want to install the light and measure the distance of two holes. Install the screws and then move the light to right when the holes of the light are fixed into the screws (Fig. 6).

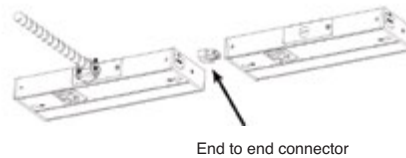


ACCESSORIES

- Use 5 ft flexible cord and plug to power fixture.

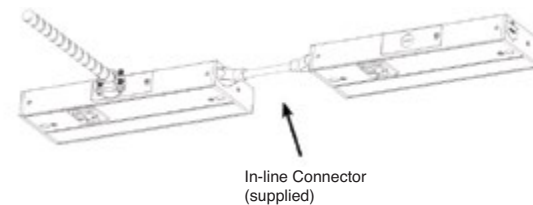


- Use 12" flexible jumper cables.



CONNECT FIXTURES

- Use in-line connector supplied with each fixture to connect fixtures directly to each other end to end.



ON-OFF WIRING

Make sure the supply is the same as the luminaire voltage, see fixture spec label.
 Dimming compatible with most incandescent dimmers.
 Connect the black fixture lead to the LINE supply lead.
 Connect the white fixture lead to the OMMON supply lead.
 Connect the GROUND wire from fixture to supply ground.

-
-
-

CLEANING AND MAINTENANCE

CAUTION: Be sure fixture temperature is cool enough to touch.

- Do not clean or maintain while fixture is energized.
- Clean polycarbonate lens with non-abrasive glass cleaning solution.
 - Do not open fixture to clean the LED. Do not touch the LED.

TROUBLESHOOTING

- Check that the line voltage at fixture is correct. Refer to wiring directions.
- Check if the fixture is grounded properly.

QUICK SPECS

| | |
|---------------------|---------------------------|
| Input Voltage | 120VAC, 50/60Hz |
| Power Consumption | See product table |
| Maximum Run | 300W max linear run |
| Ambient Temperature | -4° ~ 113°F (-20° ~ 45°C) |
| Environment | Indoor/dry location |

INCLUDED MODELS

| Item # | |
|----------------|-----|
| 3-UCL-08-CCT-W | 8" |
| 3-UCL-12-CCT-W | 12" |
| 3-UCL-16-CCT-W | 16" |
| 3-UCL-24-CCT-W | 24" |
| 3-UCL-32-CCT-W | 32" |