

**WARNING - PLEASE READ ALL INSTRUCTIONS PRIOR TO INSTALLATION**

**READ AND FOLLOW ALL WARNINGS AND INSTRUCTIONS BEFORE INSTALLING OR MAINTAINING THIS PRODUCT.**

**TURN OFF POWER PRIOR TO ANY WORK ON THE TRACK, SYSTEM OR PRODUCT**

**DO NOT INSTALL DAMAGED PRODUCT**

Installation, wiring, and maintenance must be done by a certified electrician in accordance with all local and National Electrical Codes.

Warranty is voided in case of unauthorized modifications and/or improper use.

Save these instructions and refer to them when additions, changes, or services to the ECO fixture or the ECO track system are made.

**CAUTION** – Do not install any fixture assembly closer than 6 inches (15.24 cm) from any combustible material.

Do not install any part of an ECO track system less than 5 feet (1.542 m) above the floor.

Do not attempt to energize anything other than ECO track luminaires on track.

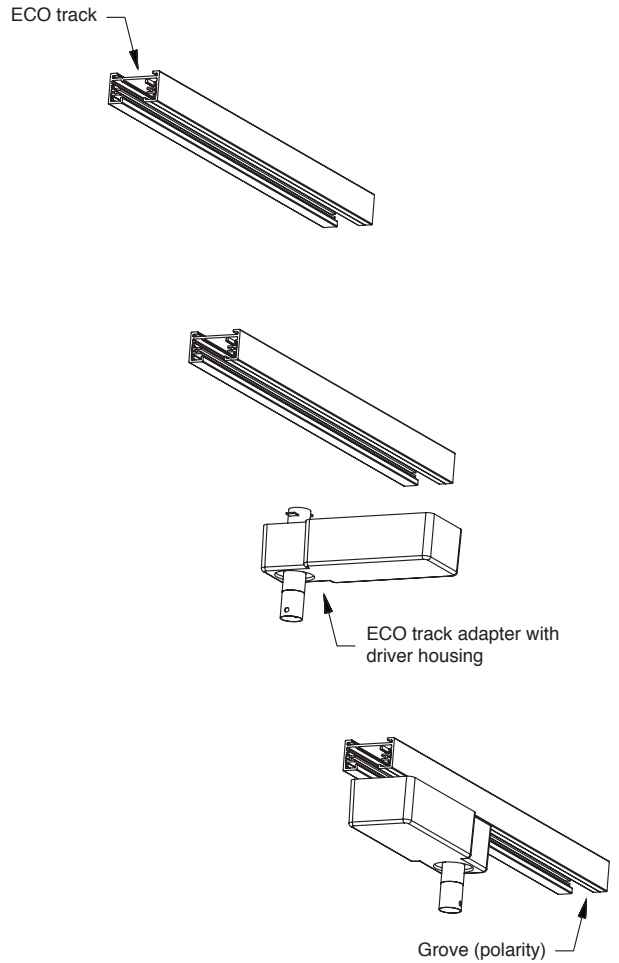
Suitable for dry locations only.

**INSTRUCTIONS FOR USE**

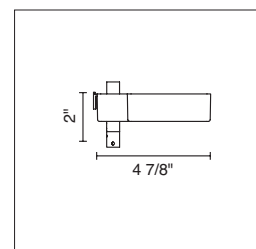
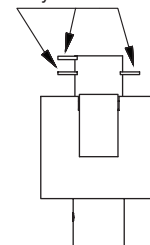
- 1 De-energize circuit before installation.
- 2 Depress Eco track adapter contact tabs to ensure electrical contact tabs are fully seated on the ECO track adapter before inserting into ECO track.
- 3 Align release tab to the groove (polarity) side of the ECO track.
- 4 While inserting the ECO adapter into the ECO track, twist the ECO adapter counterclockwise 90 degrees. ECO adapter will snap into the ECO track.
- 5 Polarity line on ECO adapter must align with polarity line on ECO track.
- 6 Energize circuit and test for proper operation.

**REMOVAL**

- 1 Hold fixture body.
- 2 Depress the release tab on the ECO adapter.
- 3 Rotate the ECO adapter clockwise 90 degrees, releasing it from the ECO track.
- 4 Reposition or replace as required.



Depress to ensure tabs are fully seated





## WARNING



- To avoid possible electrical shock, before installing light fixtures, disconnect power by turning off the circuit breakers and the wall switch. Use appropriate lock out, tag out procedures.
- Ensure that supply voltage is correct by comparing to the luminaire label information.
- Make all electrical and grounding connections in accordance with the National Electrical Code (NEC) and any applicable local code requirements.
- Allow sufficient time for fixture and driver to cool before servicing.



## CAUTION



- Wiring must be done in accordance with national and local electrical codes and ANSI/NFPA 70.
- PPE Personal Protective Equipment such as gloves and safety glasses should be used at all times when installing, maintaining, or servicing.
- Risk of fire. Keep combustible material away from fixtures and track system



## ADVERTENCIA



- Para evitar posibles choques eléctricos, antes de instalar luminarios, desconecte el alimentación apagando los interruptores de circuito y el interruptor de pared. Use adecuado procedimientos de bloqueo y etiquetas.
- Compruebe que el voltaje de alimentación es correcto comparándolo con la información de etiqueta de el luminario.
- Hacer todas las conexiones eléctricas y puesta a tierra de acuerdo con el código eléctrico nacional (NEC) y los requisitos del código local aplicable.
- Permite suficiente tiempo para enfriar el luminario antes de empesar servicio.



## PRECAUCION



- Todo el cableado debe hacerse de conformidad con los códigos eléctricos nacionales y locales y ANSI/NFPA 70. Si no está familiarizado con el cableado, debe utilizar a un electricista certificado.
- Equipo de protección personal como guantes y lentes de seguridad se debe utilizar al instalar, mantener o reparar.
- Riesgo de incendio. Mantenga los materiales combustibles lejos de los luminarios y el sistema.



## AVERTISSEMENT



- Pour éviter les chocs électriques, avant d'installer des appareils d'éclairage, coupez l'alimentation en désactivant les disjoncteurs et l'interrupteur mural. Utilisation appropriée est bloquée, balise les procédures.
- Assurez-vous que la tension d'alimentation est correcte en comparant les informations d'étiquette de luminaire.
- Faire tous les raccordements électriques et mise à la terre selon le Code électrique National (NEC) et des exigences du code local applicable.
- Laisser suffisamment de temps pour luminaire et lampe refroidir avant l'entretien.



## MIS EN GARDE



- Câblage doit être conforme aux codes électriques locaux et nationaux et ANSI/NFPA 70.
- EPI équipement de protection personnelle comme des gants et des lunettes de sécurité doivent être utilisé en tout temps lors de l'installation, maintenance et entretien.
- Risque d'incendie. Garder les matières combustibles loin de luminaires et système de suivi.