

Z15 LED Surface Mount Cylinder

WARNING - PLEASE READ ALL INSTRUCTIONS PRIOR TO INSTALLATION

READ AND FOLLOW ALL WARNINGS AND INSTRUCTIONS BEFORE INSTALLING OR MAINTAINING THIS PRODUCT.

TURN OFF POWER PRIOR TO ANY WORK ON THE SYSTEM OR PRODUCT.

DO NOT INSTALL DAMAGED PRODUCT.

Installing, wiring, and maintenance must be done by qualified persons or a certified electrician in accordance with all local and National Electrical Codes.

Warranty is voided in case of unauthorized modifications and/or improper use.

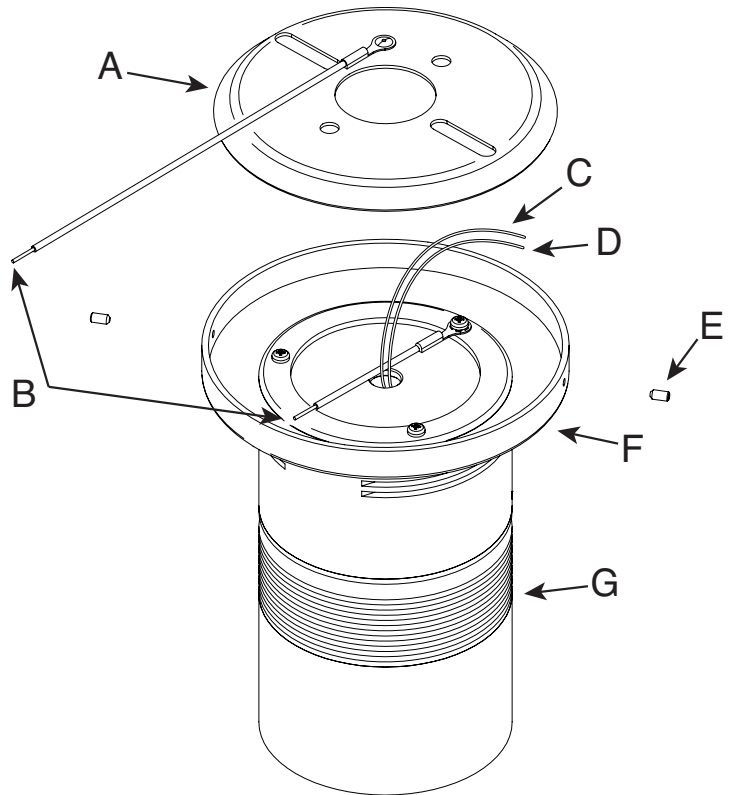
Save these instructions. Use as reference when service or maintenance is performed.

CAUTION – Do not install any fixture assembly closer than 6 inches (15.24 cm) from any combustible material.

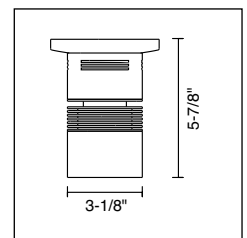
Suitable for dry and damp locations.

INSTRUCTIONS FOR USE

- 1 De-energize circuit before installation.
- 2 Use 1.5mm allen key to remove back plate assembly.
- 3 Secure back plate assembly to a J-Box (J-Box and mounting hardware supplied by others) for use with 3-1/2" and 4" octagonal or square recessed junction boxes with 2-3/4" mounting hole spacing. (Appropriate device ring cover may be required and to be supplied by others.)
- 4 Properly ground back plate assembly, canopy, and fixture in accordance with all local and national electrical codes.
- 5 Connect line, neutral, and ground wires to building electrical supply. If product supports optional dimming, connect dimming leads to dimming control system (provided by others) or isolate wires individually. Refer to product cut sheet for input voltage requirements.
- 6 Place fixture in desired position, and secure canopy to back plate assembly using 1.5mm allen key.
- 7 Energize circuit and test for proper operation.



- A Back Plate
- B Ground Wire
- C Line
- D Common
- E Set Screw (2)
- F Canopy
- G Fixture





WARNING



- To avoid possible electrical shock, before installing light fixtures, disconnect power by turning off the circuit breakers both to the outlet box and to its associated wall switch location if you cannot lock the circuit breakers in the off position, securely fasten a prominent warning device, such as a tag to the service panel.
- Verify that supply voltage is correct by comparing it with the luminaire label information.
- Make all electrical and grounded connections in the accordance with the National Electrical Code (NEC) and any applicable local code requirements.
- Allow sufficient time for fixture and / or driver to cool before servicing and performing maintenance.



ADVERTENCIA



- Para evitar un posible choque, antes de instalar luminarias, desconecte la alimentación apagando los interruptores de circuito y ubicación del interruptor de pared. Si no se pueden bloquear los interruptores en la posición de apagado, sujetar un dispositivo de advertencia en el panel de servicio.
- Compruebe que la tensión de alimentación es correcta comparándola con la información de etiqueta de la luminaria.
- Hacer todas las conexiones eléctricas y puesta a tierra de acuerdo con el código eléctrico nacional (NEC) y los requisitos del código local aplicable.
- Permitir suficiente tiempo para el luminario y el controlador para enfriar antes de enpesar el servicios y mantenimiento.



AVERTISSEMENT



- Pour éviter les chocs, avant d'installer des appareils d'éclairage, coupez l'alimentation en désactivant les disjoncteurs et l'emplacement du commutateur mural. Si vous ne pouvez pas verrouiller les disjoncteurs en position d'arrêt, fixer un avertissement sur le panneau de service.
- Vérifiez que la tension d'alimentation est correcte en la comparant avec les informations d'étiquette de luminaire.
- Effectuer tous les raccordements électriques et mise à la terre dans la conformité avec le Code électrique National (NEC) et des exigences du code local applicable.
- Laisser suffisamment de temps pour l'appareil et pilote refroidir avant d'effectuer l'entretien et la maintenance.



CAUTION



- All wiring must be in accordance with national and local electrical codes and ANSI/NFPA 70. If you are unfamiliar with wiring you should use qualified electrician.
- PPE Personal Protective Equipment such as gloves and safety glasses should be used at all times when installing, maintaining or servicing.
- Risk of fire. Keep combustible material away from fixtures.



PRECAUCION



- Todo el cableado debe hacerse de conformidad con los códigos eléctricos nacionales y locales y ANSI/NFPA 70. Si no está familiarizado con el cableado, se debe utilizar a un electricista.
- Equipo de protección personal como guantes y lentes de seguridad se debe utilizar al instalar, mantener o reparar.
- Riesgo de incendio. Mantenga los materiales combustibles lejos de los liminario.



MIS EN GARDE



- Tout le câblage doit être effectué conformément aux codes électriques locaux et nationaux et ANSI/NFPA 70. Si vous êtes peu familier avec câblage, vous devez utiliser un électricien qualifié.
- Équipement de protection personnelle comme des gants et des lunettes de sécurité doivent être utilisé en tout temps lors de l'installation, maintenance ou entretien.
- Risque d'incendie. Garder les matières combustibles loin de luminaires.