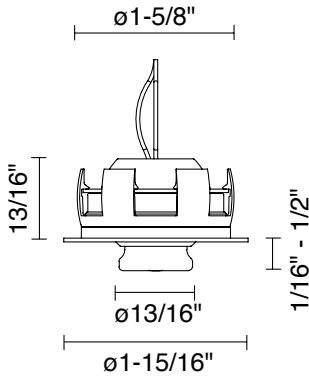


## ZHOOM

### Recessed Adjustable Spotlight



#### DESCRIPTION

- LED recessed adjustable spotlight
- Black, matte chrome or chrome finish
- Sanded glass lens
- Rotating head with zoom function  $10^\circ - 60^\circ$

#### MOUNTING

- Low Voltage**
- $1 \frac{3}{8}"$  hole cutout
  - $\frac{1}{2}"$  required material thickness

#### ELECTRICAL

- Low Voltage**
- 3Vdc, 500mA constant current, 1.5W (remote driver required)

#### LISTING

- ETLus Listed to UL2108 (suitable for dry locations only)
- cETL Listed to CSA C22.2 #9.0
- IP20 rated

#### LED PERFORMANCE

- LED:** Cree XPG
- SDCM:** 3 Step MacAdam Ellipse
- CCT:** 3000K or 40000K
- CRI:** >80
- Life:**  $L_{70}$  51,000hrs

#### PROJECT INFORMATION

|               |  |      |  |
|---------------|--|------|--|
| JOB NAME      |  | TYPE |  |
| ORDERING CODE |  |      |  |

#### ORDERING CODES

| PART NUMBER | FEATURES     | KELVIN | LUMENS |
|-------------|--------------|--------|--------|
| 56-85034    | chrome       | 3000   | 153    |
| 56-85037    | matte chrome | 3000   | 153    |
| 56-85039    | black        | 3000   | 153    |
| 56-85035    | chrome       | 4000   | 163    |
| 56-85036    | matte chrome | 4000   | 163    |
| 56-85038    | black        | 4000   | 163    |

#### DRIVER MATRIX

| PART NUMBER     | DRIVER                | QUANTITY   | POWER SPEC   |
|-----------------|-----------------------|--|--|
| P70418-500      | 32W LED Driver w/ box | for 7-14 fixtures                                | 120-277V, 32W, 500mA, Trailing Edge (ELV) (1%) dimming |
| P70414-500-ECO  | 50W LED Driver w/ box | for 1-16 fixtures per channel (1 channel driver) | 120-277V, 50W, 500mA, 0-10V (1%) dimming               |
| P70414-500-SOLO | 50W LED Driver w/ box | for 1-16 fixtures per channel (2 channel driver) | 120-277V, 50W, 500mA, 0-10V (.1%) dimming 120-277V,    |