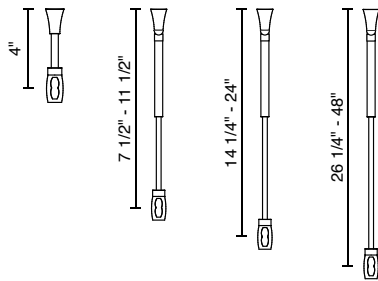


ZONYX

ZONYX ADJUSTABLE SUPPORT



TECHNICAL SPECIFICATIONS

Space supports evenly max 3' apart.
Smaller spacing is required if heavier fixtures are used to prevent sagging of track.

PART NUMBERS

350 110mc	4", not extendable support
350 120mc	7 1/2" - 11 1/2", extendable support
350 130mc	14 1/4" - 24", extendable support
350 140mc	26 1/4" - 48", extendable support

IMPORTANT SAFETY INSTRUCTIONS

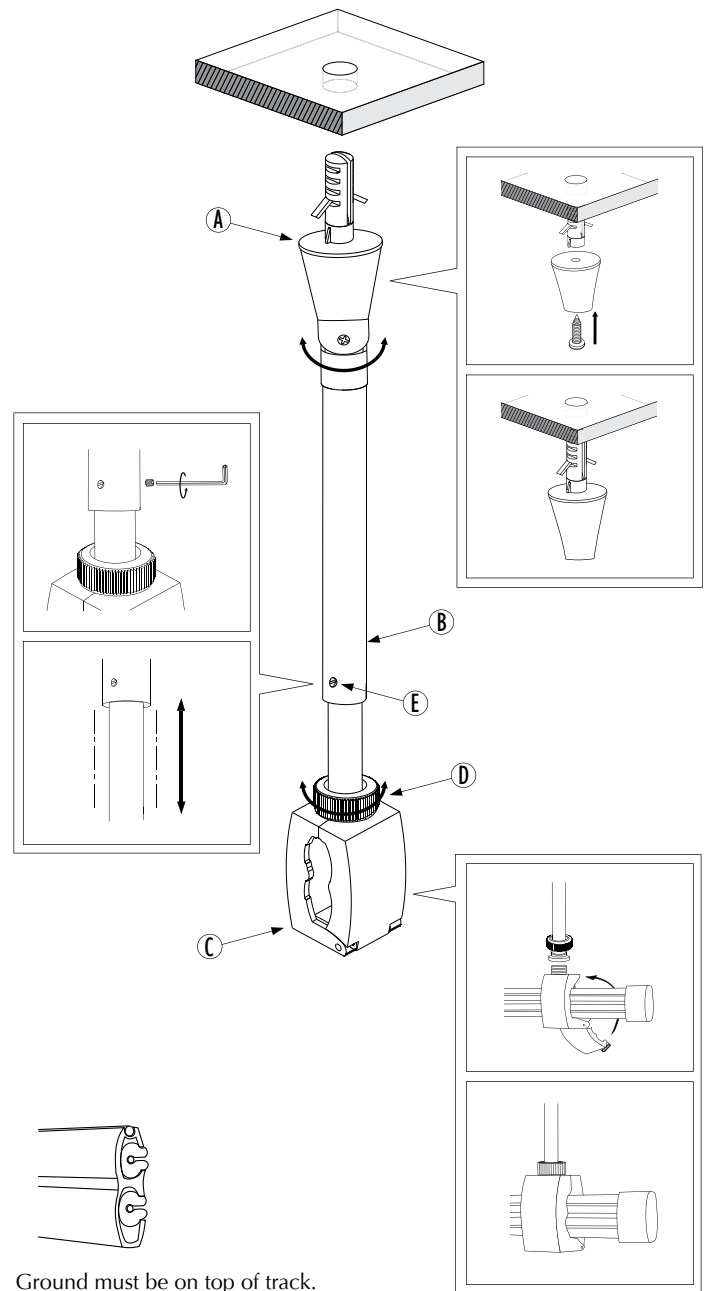
1. Read and follow these warnings and instructions before installing or maintaining this product.
2. Turn off power prior to any work on the track, system or product.
3. Do not install this product in damp or wet locations.
4. Do not install damaged product.
5. This product must be installed in accordance with all applicable installation codes and ordinances.
6. This product must be installed by a person familiar with the construction and operation of the product and the hazards involved, in accordance with the applicable NEC code.
7. Warranty is void in case of unauthorized modifications and/ or improper use.
8. Save these instructions and refer to them when additions to changes or services to the fixture or system are made.
9. CAUTION - Do not install any fixture assembly closer than 6 inches from any curtain, or similar combustible material.
10. Do not install any part of a track system less than 5 feet above the floor.
11. (For track lighting systems other than those that comply with Section 31. Field Cutting) Do not cut any track sections.
12. Do not attempt to energize anything other than lighting track luminaires on the track. To reduce the risk of fire and electric shock, do not attempt to connect power tools, extension cords, appliances, and the like to the track.
13. (For track lighting systems other than 120 volts, 2-wire) Do not connect a track to more than one branch circuit unless the track is constructed so that it can be used with more than one branch circuit. Check with a qualified electrician. Although the track lighting system may seem to operate acceptably, a dangerous overload of the neutral may occur and result in a risk of fire.



SAVE THESE INSTRUCTIONS



INSTALLATION INSTRUCTIONS



Ground must be on top of track.

INSTRUCTIONS FOR USE

- Use appropriate mounting hardware.
- Mount base (A) to ceiling.
- Screw stem (B) onto base (A).
- Unscrew collar (D) slide track adaptor (C) onto track. Close the adaptor (C) and screw collar (D) back.

NOTE

To adjust height of support, loosen set screw (E). Adjust to desired height and tighten set screw.